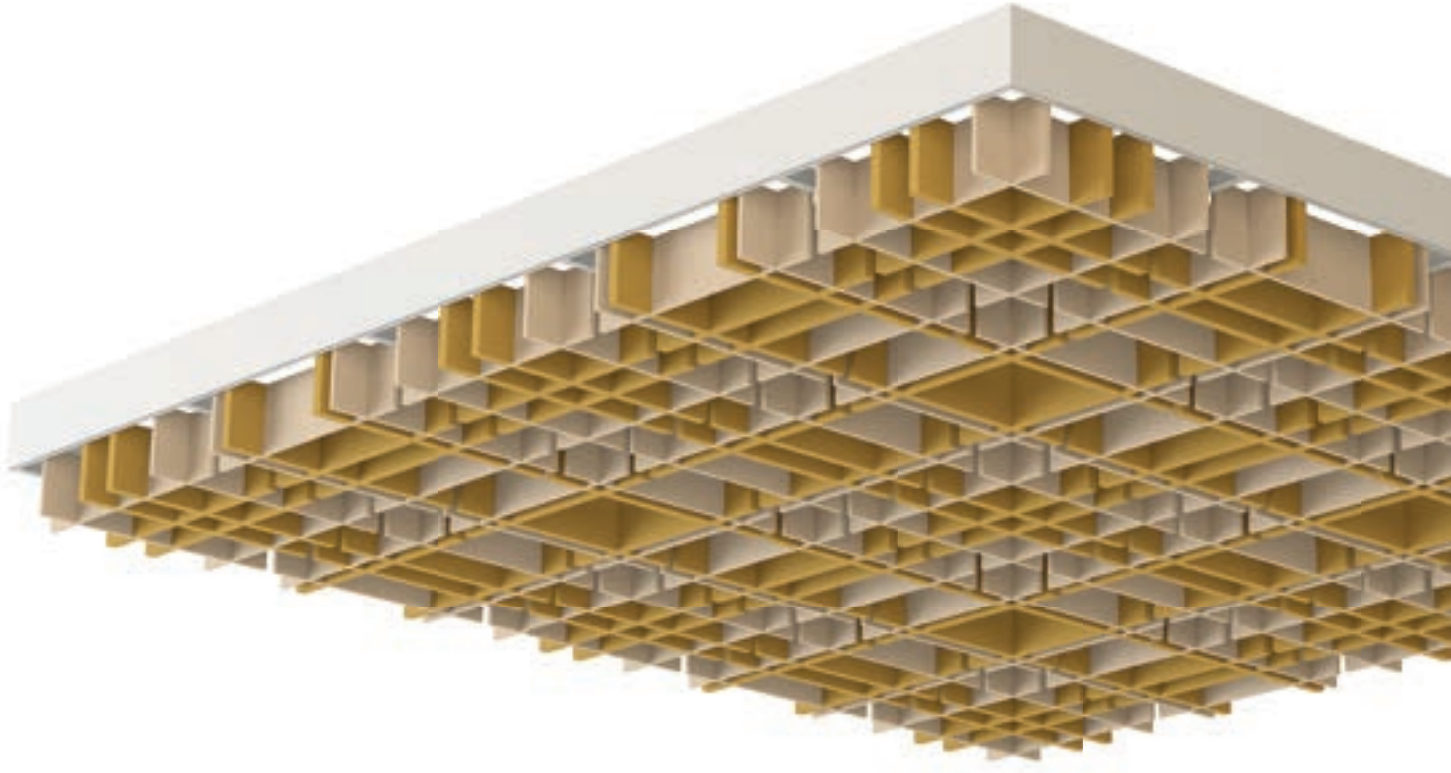


IMPACT ACOUSTIC®



Plaid

Ceiling Tiles

718.10.00.000.00
718.11.00.000.00
718.12.00.000.00
718.13.00.000.00
718.14.00.000.00
718.15.00.000.00
718.16.00.000.00
718.17.00.000.00

718.20.00.000.00
718.21.00.000.00
718.22.00.000.00
718.23.00.000.00
718.24.00.000.00
718.25.00.000.00
718.26.00.000.00
718.27.00.000.00

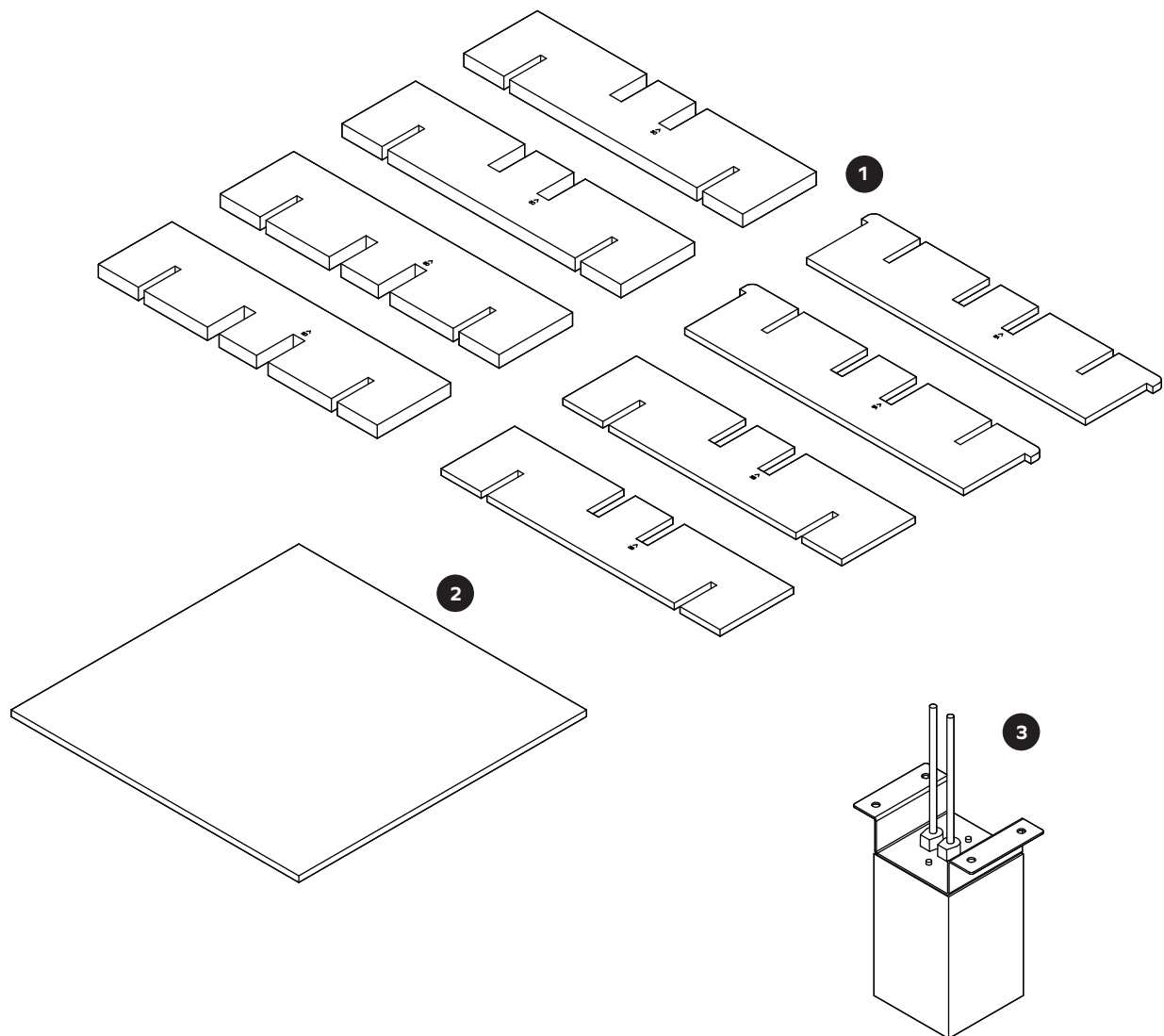
Plaid Ceiling Tiles

Assembly Guide

1 Verify and organize

Verify all delivered elements and organize them based on the included labeling of each part and the supplied drawings. Please note that **optional items** will be provided based on particular order specification.

- 1 Plaid Archisonic® Felt interlocking components
- 2 Plaid Archisonic® Infill Tile (optional)
- 3 Cube Light (optional)

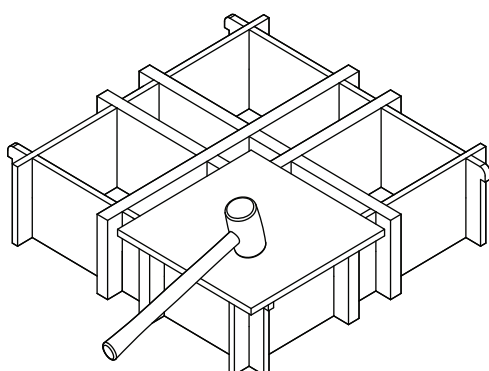
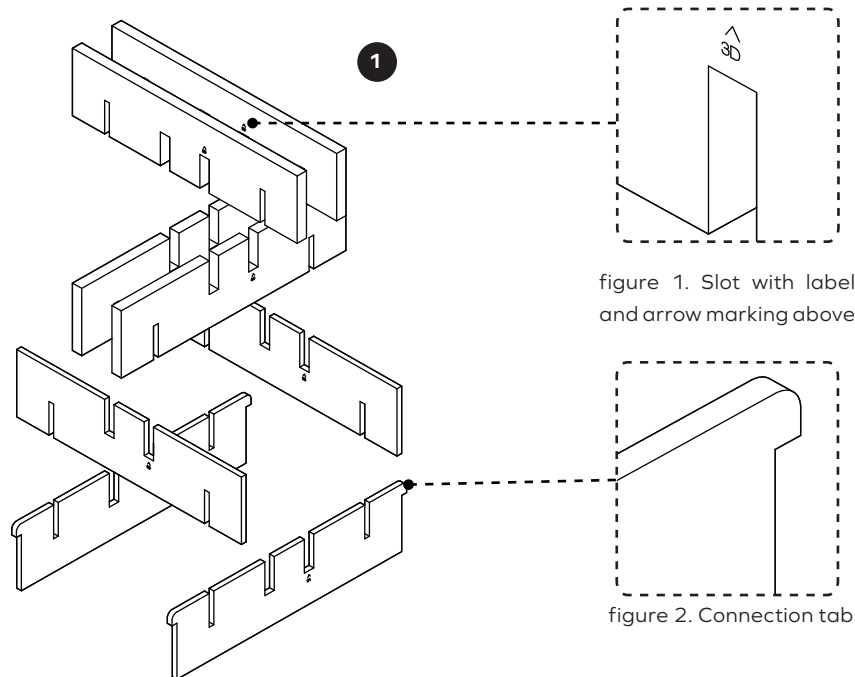


Plaid Ceiling Tiles

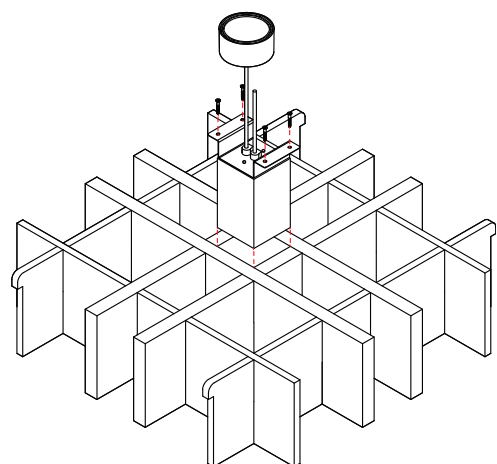
Tile Assembly

2 Assemble Interlocking Components

Assemble Plaid tiles on a clean surface by slotting together the interlocking fins. The fins are individually labeled (labels will be concealed upon assembly). For each tile, ensure that all the numbers match and that there are 2 of each letter. Start with fins labeled "A" and assemble in alphabetical order. Verify that all arrow markings are pointing upward and that the connection tabs remain at the top of the tile. For asymmetrical tiles, confirm that all slots line up properly so that subsequent fins can be added.



If needed, carefully use a mallet to tap fins into place. Protect the tile and distribute pressure with a piece of sheet material. Exercise caution when using a mallet so as not to damage the tiles.



***Optional** Lower CUBE Light into assembled tile, ensuring brackets are aligned to fins and secure using screws. (See lighting manufacturer's documentation for further detail and wiring instructions.)

Plaid Ceiling Tiles

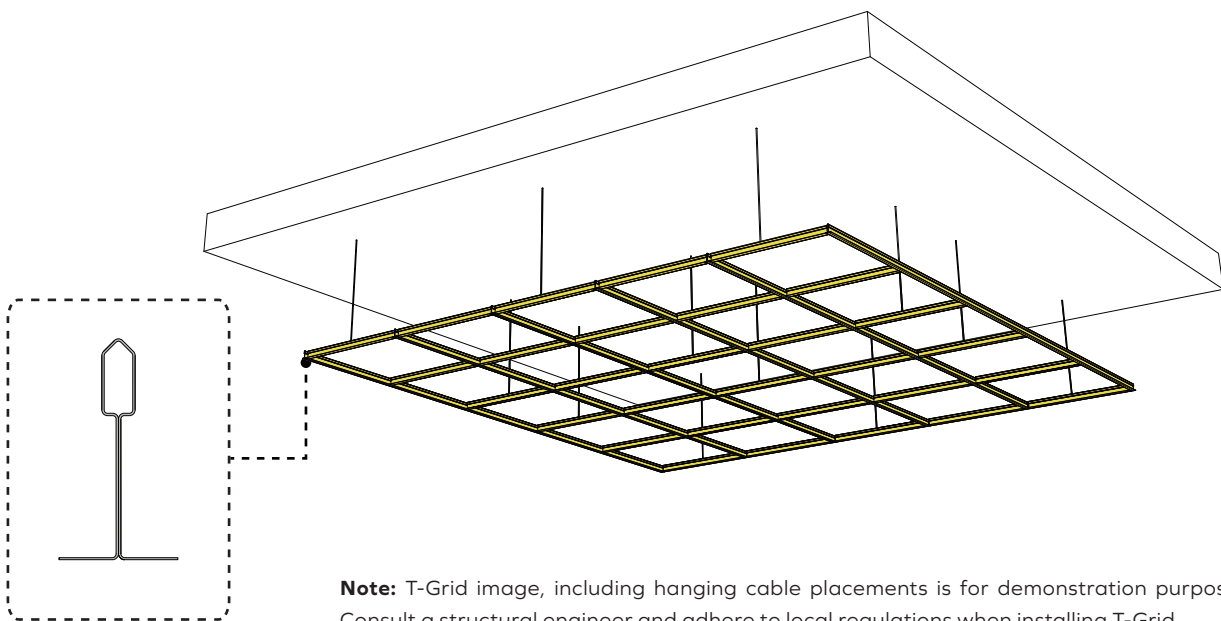
Installation Guide

3 Install/ Verify Substructure

Plaid Ceiling Tiles must be installed on a third party T-Grid. Verify that your new or existing T-Grid meets the following requirements:

- Metric dimensions - 600mm x 600mm cells, 24mm wide profile, min. 300mm space above grid
- US applications/ Imperial dimensions - 24" x 24" cells, 15/16" wide profile, min. 12" space above grid

For the ceiling substructure we recommend using **PRELUDE 15/16" Exposed T-Grid System from Kanopi by Armstrong (24" x 24" Cells)** or **Armstrong SELECT 1000 24mm Exposed Tee System from KNAUF Ceiling Solutions (600mm x 600mm Cells)**.

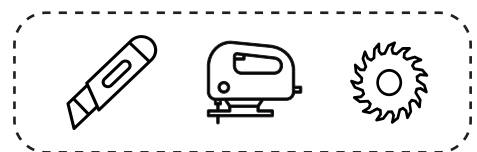
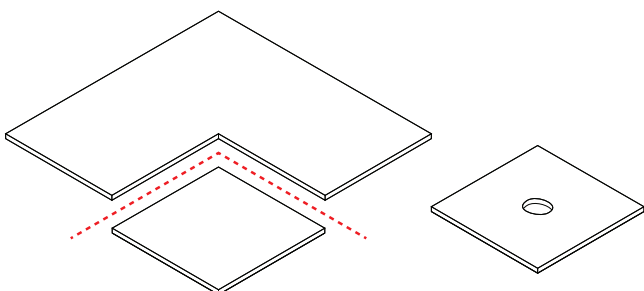


Note: T-Grid image, including hanging cable placements is for demonstration purposes only. Consult a structural engineer and adhere to local regulations when installing T-Grid.

4 Modify Infill Tiles Onsite (Optional)

Plaid Infill Tiles can be adjusted on site (similar to ACT/ Acoustic Ceiling Tiles) in order to accommodate a range of light fixtures, safety equipment, perimeters and other conditions. Infill tiles, modified or otherwise are not intended to provide structural support to any 3rd party fixtures or equipment. Please note that Plaid 1 through 8 should not be modified on site.

Utilize standard tools such as a utility knife, a crown drill (hole saw) or a circular saw for wood (ex. Bosch Ø160 x 2,2/1,6 x 20mm, 48HW blade for wood). Please cut the tile while flat on the ground prior to installation. Make sure blade does not get hot, this could cause the felt material to melt and the edge to deform. Please note that Plaid 1 through 8 should not be modified on site.



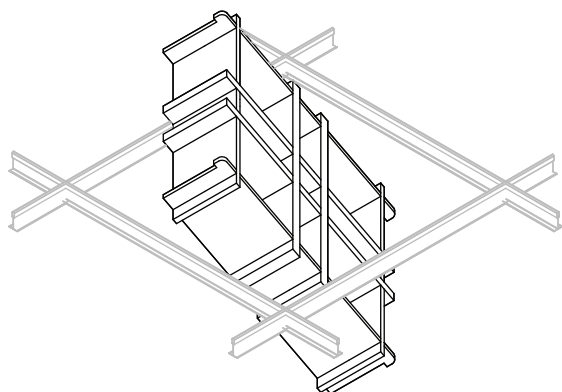
Plaid Ceiling Tiles

Installation Guide

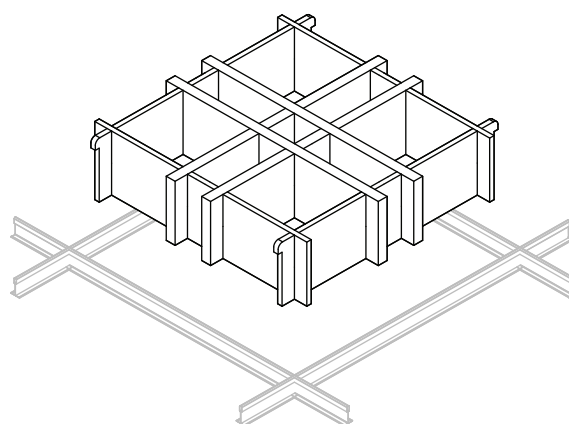
5 Install Tiles to T-Grid

Once Plaid tiles are assembled, install by simply angling up through the T-grid and dropping into place. Refer to shop drawings for tile placement and orientation. Tip each tile upward and align diagonally to T-grid cell. Then bring the tile above the grid. With the tile above the grid rotate to align with grid. Carefully lower the tile until the tabs rest on the horizontal surface of the grid. It is recommended to install tiles in rows starting from one edge of the array.

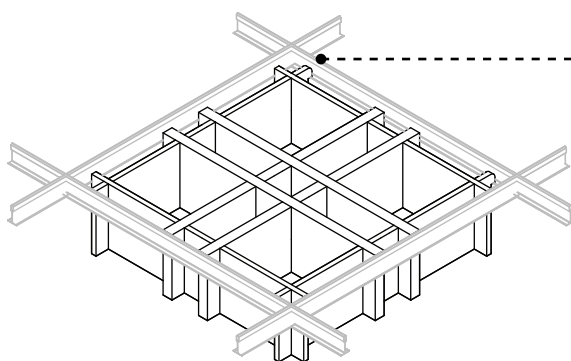
***Note:** For further detail regarding lighting installation and wiring refer to lighting instructions.



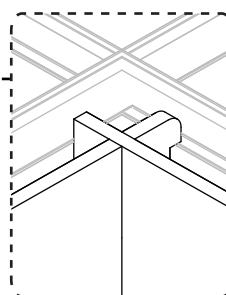
Angle tile up through grid



Align tile to grid



Lower tile



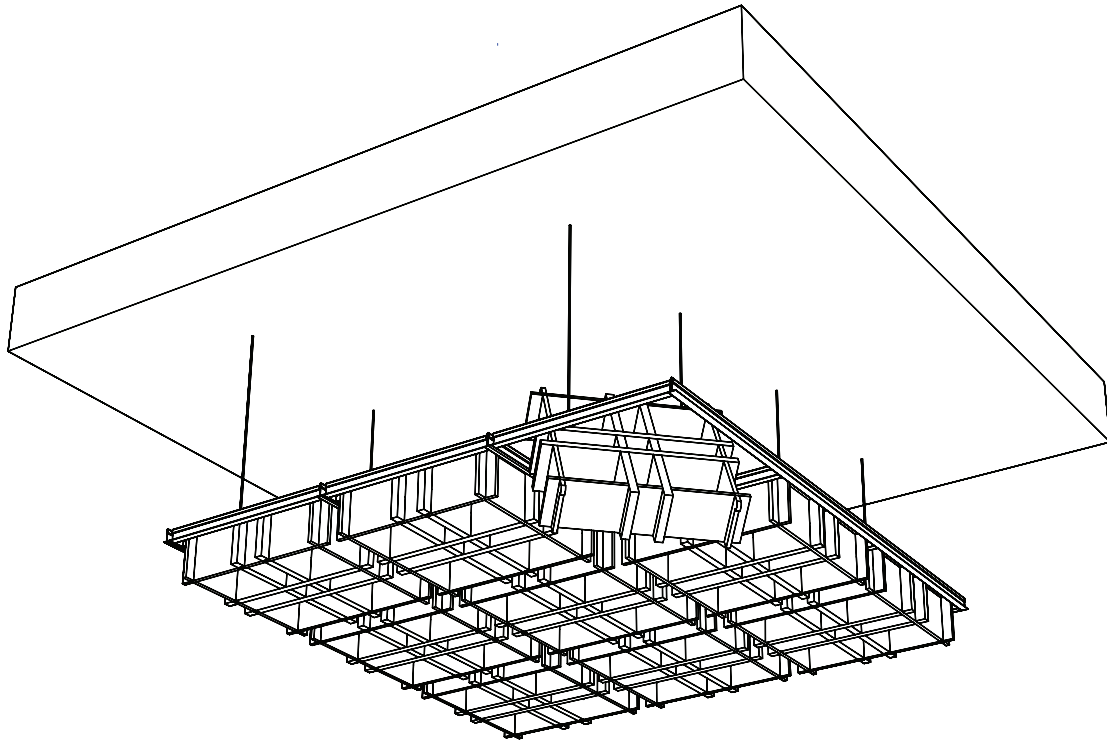
Tile to T-grid
connection detail

Plaid Ceiling Tiles

Installation Guide

6 Repeat until done

Repeat Step 5 for all tiles in array.



Plaid Ceiling Tiles

Additional Information

Online Resources

A variety of resources are available online for all of our products. Please visit the product's page for more information.



CAD files



Spec sheets and
Installation Guide



Color families



Instruction
videos



Associated
products specs.

Ordering Process

Our experienced team of Project Consultants will guide and support you throughout the order process. We fulfill the majority of our orders in as little as 21 days¹ from your first point of contact, allowing you to focus on what truly matters to you.



Contact our
consultant

Quote¹

48h



Order Confirmation

Production¹

14-21 days



Dispatch

Transit

location based



Delivery

Contact Us

Ready to make an impact? We are just an email or call away to discuss your project and answer any question.



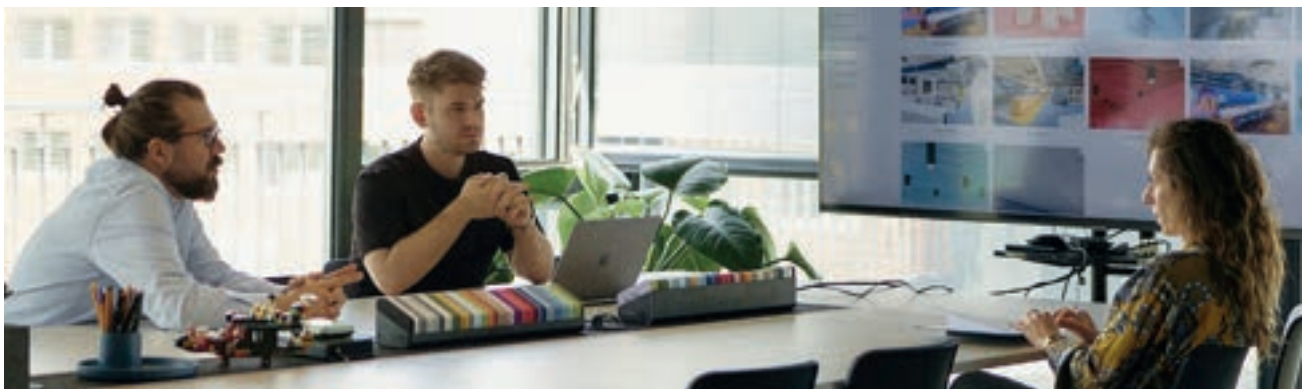
+41 41 244 14 00



connect@impactacoustic.com



Online form



¹ - Quote and Production times may vary.

IMPACT ACOUSTIC®
Plaid Ceiling Tiles rev.01 - 25.11.24

(Switzerland)
(USA)
(Philippines)

connect@impactacoustic.com
usa@impactacoustic.com
philippines@impactacoustic.com

(+41) 41 244 14 00
(+1) 646 918 1581
(+63) 285 80 02 50

#WeMakeAnImpact

**#We
Make An
Impact**

connect@impactacoustic.com | www.impactacoustic.com